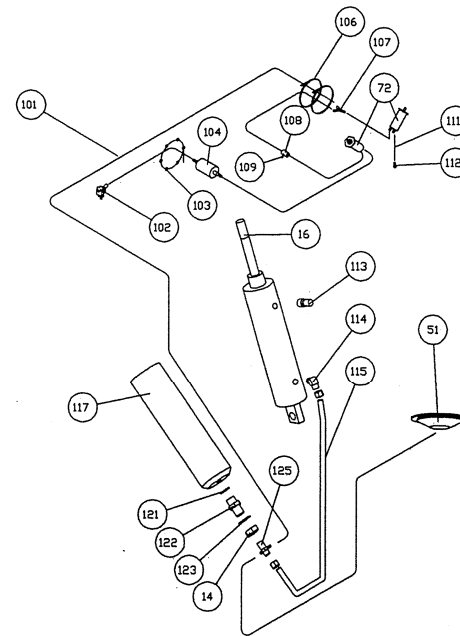
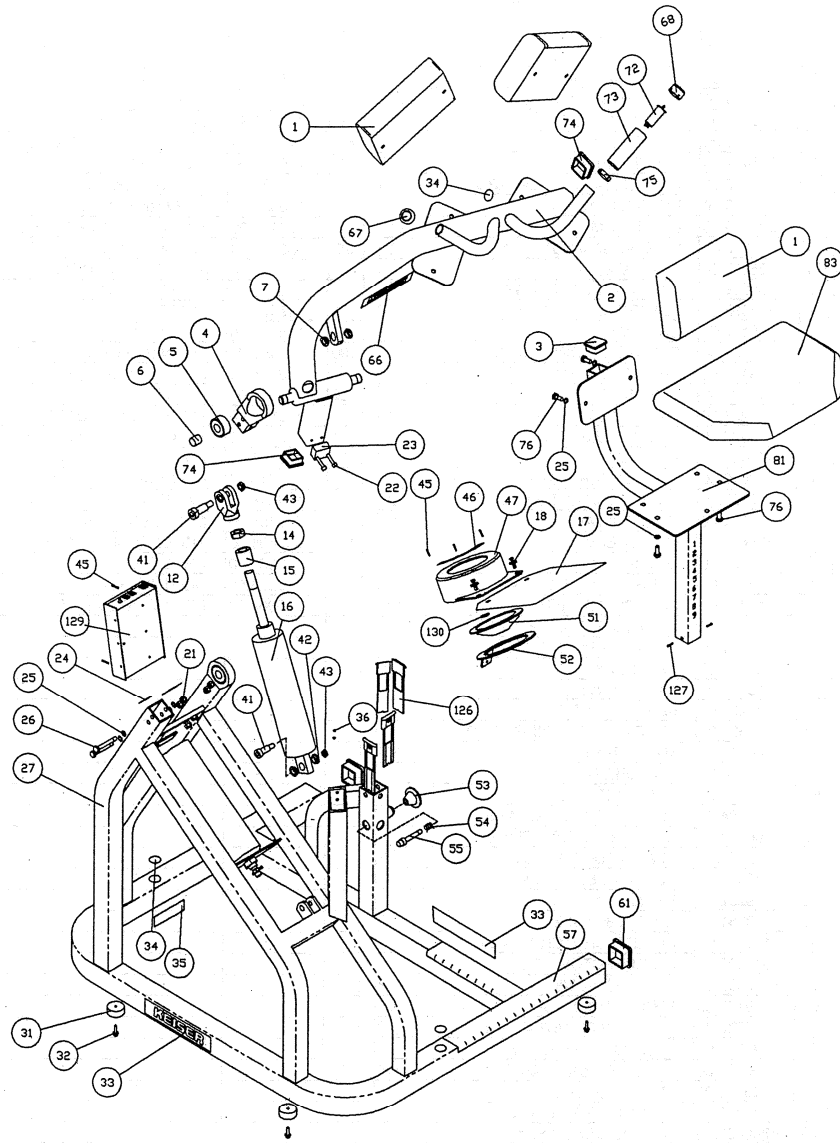


2721 ABDOMINAL



03/13/01
271soC

Air 250 Abdominal

ITEM	PART #	DESCRIPTION	ITEM	PART #	DESCRIPTION
1	140853.00	ARM CUSHION	75	115030.00	GRIP COLLAR
2	270919.32	EXERCISE ARM WT	76	9176.00	HHCS 5/16-18 x 1 ZP
3	135056.00	PLASTIC CAP 1.5" SQUARE	77	9180.00	HHCS 5/16-18 x 2-1/2 ZP
4	135407.00	BEARING HOUSING	80	271800.33	CHEST PAD MOUNT PLAT ZP
5	115394.00	SPHERICAL BEARING 3/4 ID	81	270918.33	SEAT BACK BK
6	115067.00	1 x 3/4 VINYL CAP BK	83	230853.00	SEAT CUSHION
7	115056.00	FLANGE BRG .63 ID SHORT	84	9205.00	HHCS 3/8-16 x 2 ZP
12	275003.00	CLEVIS	85	9355.00	ACFT WSHR 3/8 ZP
14	9231.00	HX JAM NUT 3/4-10 ZP	86	9228.00	HELN 3/8-16 ZP
15	275051.00	CYLINDER STOP	87	9075.00	FHSCS 5/16-18 x 1 ZP
16	115317.00	CYLINDER - 2-1/2 x 7	88	9201.00	HHCS 3/8-16 x 1 ZP
17	275416.20	INSTRUCTIONAL PLACARD	89	9178.00	HHCS 5/16-18 x 2 ZP
18	265404.00	PLASTIC RIVET	90	270917.31	TOP FRAME CR
21	9226.00	HELN 5/16-18 ZP	91	170904.31	SEAT CR
22	9285.00	PHSTS PH# 10-24 x 3/4 ZP	92	270916.31	BOTTOM FRAME CR
23	165421.00	URETHANE EX ARM STOP	93	276172.31	GAGE MOUNT W/HOLES CR
24	115301.00	FINGER WARNING DECAL	94	272120.00	SEAT LOOP PIN
25	9353.00	ACFT WSHR 5/16 ZP	95	9206.00	HHCS 3/8-16 x 2-1/4 ZP
26	9179.00	HHCS 5/16-18 x 2-1/4 ZP	96	270921.33	BOTTOM SEAT FRAME BK
27	270913.32	MAIN FRAME WT	97	270912.43	SEAT LOOP
31	105423.00	BUMPER MOLDED GLIDE	101	953108.00	TUBING - 1/4 URETHANE BK
32	9279.00	HWH TFTDC 5/16-18 x 3/4 ZP	102	110897.00	90 DEG BARBED Q.D.
33	115372.00	LARGE "KEISER" DECAL	103	115429.00	PLASTIC TIE 10 IN RED
34	115404.00	HOLE PLUG 1.0	104	115323.00	IN LINE FILTER
35	105443.00	DECAL "SERIAL #"	106	115430.00	PLASTIC TIE 3 IN BK
36	175422.00	3/16 x 1/4 STL # 64 RIVET ZP	107	265310.00	PLASTIC "Y"
41	9128.00	SHSB 5/8 x 1-1/4 ZP	108	122162.00	FLOW RESTRICTOR BODY
42	115051.80	FLANGE BEARING - .5 I.D.	109	9016.00	SOCK ST. SCRW, 10-32 x 3/16 SS
43	9227.00	HX REV LCK NUT 3/8-16 ZP	111	115312.00	1/4 x 1/8 URETHANE TUBE
45	9272.00	PHSTS TF PHLPS #6 x 1/2 BK	112	135057.00	FLOW RESTRICTOR BK
46	125303.00	FLANGE DECAL	113	115318.00	EXHAUST MUFFLER 3/8
47	175407.00	FLANGED GAGE BOX W/ TAB	114	8153.00	MALE ELBOW 3/8 x 1/4
51	A600803.60	DIGITAL GAGE ASSY	115	953101.00	TUBING - 3/8 POLYETHYLENE BK
	B270821.0	100 PSI ANALOG GAGE ASSY	117	100903.33	TANK 72 IN3 BK
52	171801.33	BRKT - GAUGE BOX BK	121	115333.00	ORING .737 x .943 x .103 70 DURO
53	175420.00	KNOB BK	122	115000.00	TANK BUSHING
54	175500.00	SPRING - PLUNGER	123	9364.00	INT TTH LCK WSHR 3/4 ZP
55	172180.80	PLUNGER	125	110833.00	3/8 BARBED ELBOW
57	955300.00	4"PROTECTOR STRIP	126	505053.80	BUSHINGS
61	115054.00	PLASTIC CAP 2" SQUARE	127	505063.80	PLASTIC PIN
62	115055.00	WASHER - UPHOLSTERY ROLLER	129	600801.00	PROCESSOR BOX
63	110850.00	ROLLER CUSHION	130	9348.00	WASHER
64	115006.33	3/4" END CAP BK			
65	9026.00	SOCKET SCR 5/16-18 x 1-1/4 ZP			
66	115371.00	DECAL "KEISER" SMALL			
67	115438.70	PLUS CAP			
68	115439.70	MINUS CAP			
71	115445.80	THUMB BUTTON			
72	110830.00	THUMB BUTTON VALVE			
73	115433.00	GRIP SLEEVE			
74	115059.00	PLASTIC CAP 1-3/4 SQ.			