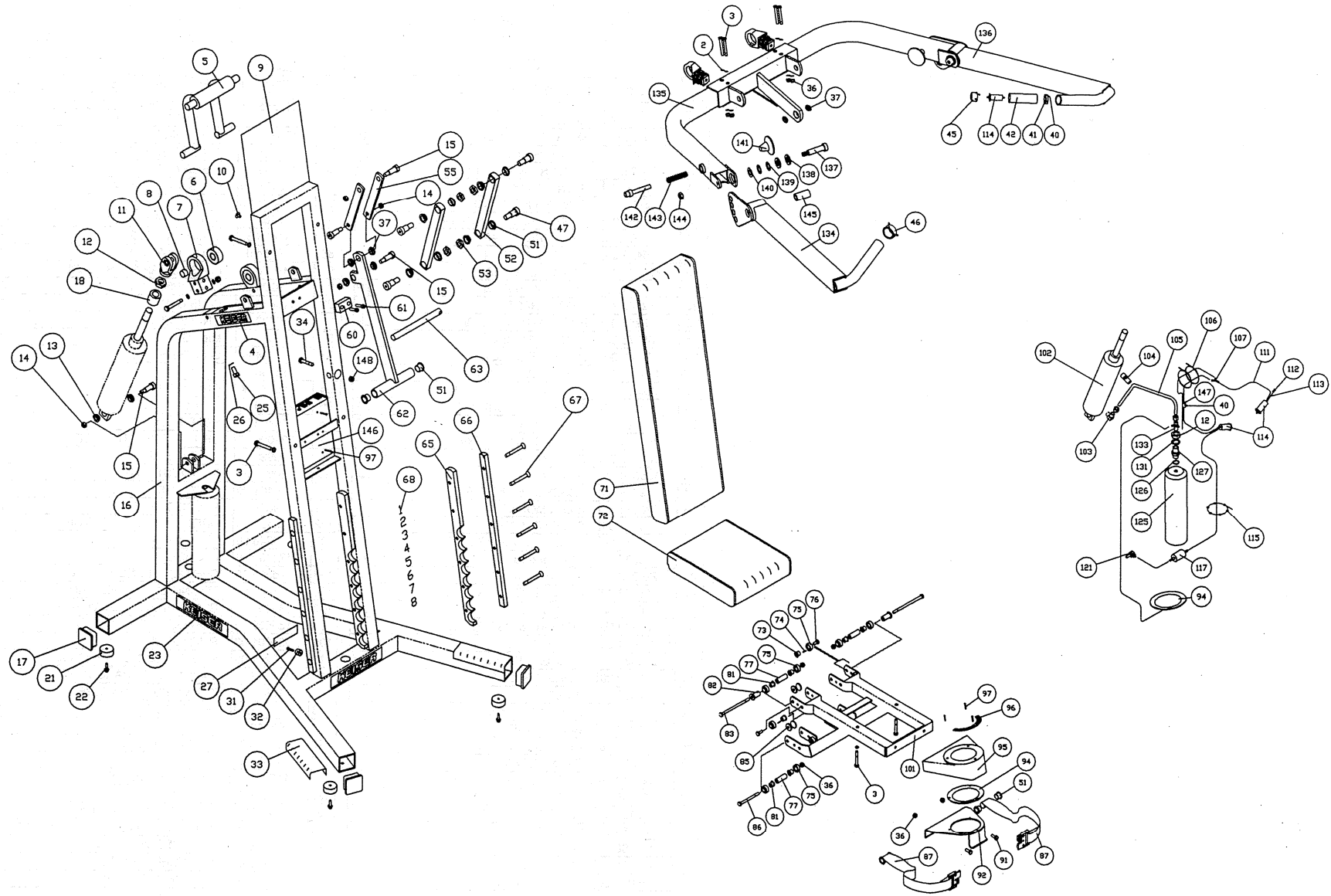


2121 LAT PULL DOWN



Air 250 Lat Pulldown

ITEM	PART #	DESCRIPTION	ITEM	PART #	DESCRIPTION
1	210917.32	EXERCISE ARM WT	74	9009.00	SPRING PIN 1/16 x 1/2
2	9353.00	ACFT WSHR 5/16 ZP	75	135060.00	ROLLER
3	9180.00	HHCS 5/16-18 x 2-1/2 ZP	76	9174.00	HHCS 5/16-18 x 1/2 ZP
4	115371.00	SMALL "KEISER" DECAL	77	132181.00	ROLLER TUBE
5	210913.33	LEVER ARM BK	81	132200.00	AXLE
6	151394.00	SPHERICAL BEARING 3/4 ID	82	195001.00	SEAT BELT ADAPTER 5/16
7	135407.00	BEARING HOUSING	83	9185.00	HHCS 5/16-18 x 5 ZP
8	115067.00	1 x 3/4 VINYL CAP BK	85	135055.00	STEM BUMPER
9	215416.20	INSTRUCTIONAL PLACARD	86	9183.00	HHCS 5/16-18 x 3-1/2 ZP
10	265404.00	PLASTIC RIVET	87	280887.00	HALF SEAT BELT ASSEMBLY
11	115005.00	CLEVIS - 2.5	91	9176.00	HHCS 5/16-18 x 1 ZP
12	9231.00	HX JAM NUT 3/4-10 ZP	92	130921.33	HANDLE BRACKET BK
13	115051.80	FLANGE BEARING - .5 I.D.	94	A210801.00	DIGITAL GAGE ASSY
14	9227.00	HEX REV LCK NUT 3/8-16 ZP		B210801.60	100 PSI ANALOG GAGE ASSY
15	9127.00	SHSB 1/2 x 1 ZP	95	135405.00	FLANGED GAGE BOX
16	210922.32	MAIN FRAME WT	96	125303.00	FLANGE DECAL
17	115054.00	PLASTIC CAP 2" SQUARE	97	9272.00	PHSTS TF PHLPS # 6 x 1/2 BK
18	215052.00	CYLINDER STOP	101	130920.33	SEAT BELT ADAPTER 5/16 BK
21	105423.00	BUMPER - MOLDED GLIDE	102	135316.00	CYLINDER - 2.5 x 12
22	9279.00	HWH TFTDC 5/16-18 x 3/4 ZP	103	8153.00	MALE ELBOW 3/8 x 1/4
23	115372.00	LARGE " KEISER" DECAL	104	115318.00	EXHAUST MUFFLER 3/8
25	9200.00	HHCS 3/8-16 x 3/4 ZP	105	953101.00	TUBING - 3/8 BK POLYETHYLENE
26	9355.00	ACFT WSHR 3/8 ZP	106	115423.00	PLASTIC TIE 8" BK
27	105443.00	DECAL "SERIAL #"	107	265310.00	PLASTIC Y
31	9285.00	PHSTS PH#10-24 x 3/4 ZP	111	953108.00	TUBING - 1/4 BK URETHANE
32	135076.00	PLASTIC BUMPER	112	135057.00	BLACK FLOW RESTRICTOR
33	955300.00	4" PROTECTOR STRIP	113	115312.00	1/4 x 1/8 URETHANE TUBE
34	9154.00	HHCS 1/4-20 x 1-1/4 ZP	114	110830.00	THUMB BUTTON VALVE
36	9226.00	HX ELAS LCK NUT 5/16-18 ZP	115	115429.00	PLASTIC TIE 10" RED
37	115051.80	FLANGE BEARING .5 I.D.	117	115323.00	IN LINE FILTER
40	9016.00	SOCKET SCR 8-32 x 1/8	121	110897.00	90 DEG BARBED Q.D.
41	115022.00	GRIP COLLAR AZ	125	255318.33	TANK - 145 CU. IN BK
42	115433.00	GRIP SLEEVE 3.75	126	115333.00	ORING .737 x .943 x .103 70 DUR
45	115439.70	MINUS CAP AZ	127	115000.00	TANK BUSHING
46	115438.70	PLUS CAP AZ	131	9364.00	INT TTH LCK WSHR 3/4 ZP
47	9182.00	5/8 x 3/4 SHSB ZP	133	110833.00	3/8 BARBED ELBOW
51	115052.80	FLANGE BEARING .63 I.D.	134	210923.00	EX. ARM RIGHT
52	211930.33	DRAG LINK BK	135	210917.00	EX. ARM A250
53	9230.00	HELN 1/2-13 ZP	136	210921.00	EX. ARM LEFT
55	211846.33	PUSH ARM DRAG LINK BK	137	9372.00	SHSB 1/2-1 ZP
60	165421.00	URETHANE EX ARM STOP	138	215003.00	SPACER BR
61	9108.00	SHCS 1/4-20 x 1 ZP	139	9373.00	BELLEVILLE WASHER 1/2
62	210920.33	PUSH ARM DRAG LINK BK	140	9371.00	THRUST RACE .5 x .937
63	212180.73	PIVOT SHAFT	141	175420.00	KNOB BK
65	135005.31	SEAT RACK AZ	142	172180.00	PLUNGER
66	135006.31	SEAT RAIL AZ	143	175500.00	SPRING PLUNGER
67	9079.00	FHSCS 5/16-18 x 2-1/2	144	9374.00	HELN 3/8-16 ZP
68	135306.00	STRIP DECAL # 1-10	145	215004.00	BEARING 1/2 x 3/4 BR
71	130857.00	BACK CUSHION	146	600801.00	PROCESSOR BOX
72	130856.00	BOTTOM CUSHION	147	122162.00	FLOW RESTRICTOR
73	132201.00	THREADED AXLE	148	9225.00	HELN 1/4-20 ZP