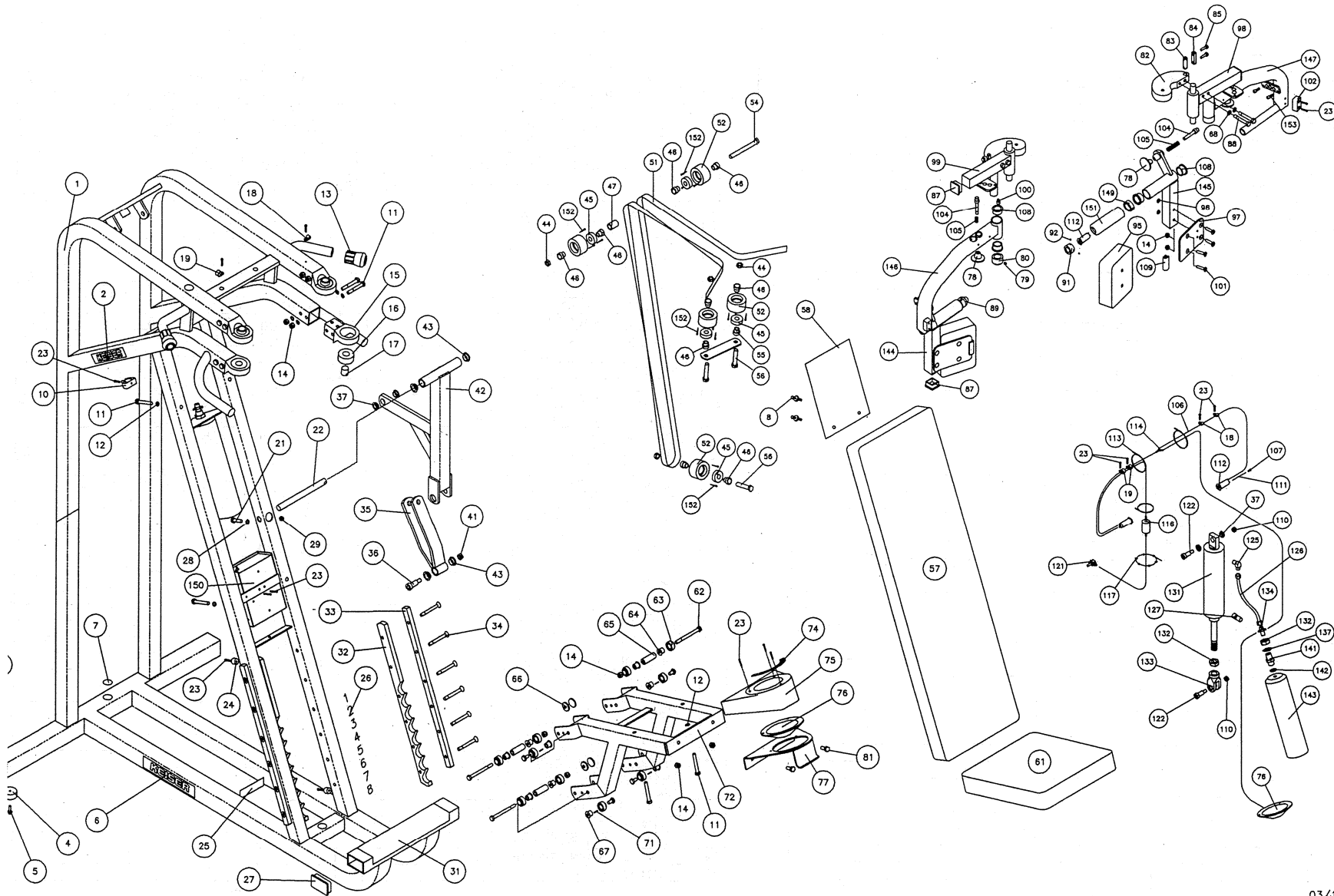


# 2221 SEATED BUTTERFLY



## Air 250 Seated Butterfly

ITEM	PART #	DESCRIPTION	ITEM	PART #	DESCRIPTION
1	220900.32	MAIN FRAME WT	64	132200.00	AXLE
2	115371.00	SMALL "KEISER" DECAL	65	132181.00	ROLLER TUBE
3	115054.00	PLASTIC CAP 2" SQUARE	66	135055.00	STEM BUMPER
4	105423.00	BUMPER MOLDED GLIDE	67	132201.00	THREADED AXLE
5	9279.00	HWH TFTDC 5/16-18 x 3/4 ZP	68	9355.00	ACFT WASHER 3/8
6	115372.00	LARGE "KEISER" DECAL	71	9009.00	SPRING PIN 1/16 x 1/2
8	265404.00	PLASTIC RIVET	72	220928.33	SEAT FRAME BK
7	115404.00	HOLE PLUG 1.0	74	125303.00	FLANGE DECAL
10	135426.00	FILTER CLIP	75	135405.00	FLANGED GAGE BOX
11	9179.00	HHCS 5/16-18 x 2 1/4 ZP	76	A600806.30	DIGITAL GAGE ASSY
12	9353.00	ACFT WSHR 5/16 ZP		B220822.60	100 PSI ANALOG GAGE ASSY
13	135422.00	RUBBER CRUTCH TIP	77	130921.33	HANDLE BRACKET BK
14	9226.00	HELN 5/16-18 ZP	78	175420.00	BLACK KNOB
15	135407.00	BEARING HOUSING	79	9026.00	SOCKET SCR 5/16-18 x 1/4 ZP
16	115394.00	SPHERICAL BEARING 3/4" I.D.	80	135049.00	1" END CAP BK
17	115067.00	1 x 3/4 VINYL CAP BK	81	9175.00	HHCS 5/16-18 x 3/4 ZP
18	115422.00	CABLE CLAMP 1/4	82	225001.00	CAM
19	275422.00	CABLE CLAMP 1/2	83	22160.31	ROUND BELT CLAMP CR
21	9154.00	HHCS 1/4-20 x 1 1/4 ZP	84	111896.33	CLAMP W/HOLE BK
22	212180.73	PIVOT SHAFT	85	9154.00	HHCS 1/4-20 x 1 1/4 ZP
23	9285.00	PHSTS PH# 10-24 x 3/4 ZP	87	135056.00	PLASTIC CAP 1 1/2 SQUARE
24	135076.00	PLATIC BUMPER	88	9205.00	HHCS 3/8-16 x 2 ZP
25	105443.00	DECAL "SERIAL #"	89	115438.70	PLUS CAP AZ
26	135306.00	STRIP DECAL # 1-10	90	115433.00	GRIP SLEEVE 3.75
27	225053.00	1 1/2 x 2 1/2 PLASTIC CAP	91	115439.70	MINUS CAP AZ
28	9349.00	SAE FLAT WASHER 1/4 ZP	92	9014.00	SOCKET SCR 8/32 x 1/8
29	9225.00	HELN 1/4-20 ZP	93	115445.00	BUTTON
31	955300.00	4" PROTECTOR STRIP	94	115030.00	GRIP COLLAR AZ
32	135005.31	SEAT RACK AZ	95	220850.00	ARM CUSHION
33	135006.31	SEAT RAIL AZ	96	115402.00	HOLE PLUG 3/8
34	9079.00	FHSCS 5/16-18 x 2 1/2	97	221000.33	UPHOLSTERY MT PLATE BK
35	220924.33	IDLER MOUNT BK	98	220920.33	L. ADJUST ARM BK
36	9131.00	SHSB 5/8 x 1 1/2 ZP	99	220921.33	R. ADJUST ARM BK
37	115051.80	FLANGE BEARING .5 I.D.	100	9104.00	SHCS 5/16-18 x 1/4
41	9230.00	HELN 1/2-13 ZP	101	9075.00	FHSCS 5/16-18 x 1 ZP
42	220926.33	LEVER ARM BK	102	165421.00	URETHANE EX ARM STOP
43	115052.80	FLANGE BEARING .63 I.D.	103	9246.00	HELN 10-24 ZP
44	9230.00	HELN 1/2-13 ZP	104	172180.00	PLUNGER
45	225400.00	BEARING 6203 2 SEALS	105	175500.00	SPRING - PLUNGER
46	223081.00	IDLER SPACER	106	953108.00	TUBING 1/4 BK URETHANE
47	223080.00	SPACER - PULLEY BK	107	135057.00	BLACK FLOW RESTRICTOR
51	950510.00	KEVLAR BELT 1"	108	135050.80	FLANGE BEARING 1" I.D.
52	225052.00	IDLER	109	954201.00	RUBBER CHANNEL
54	9217.00	HHCS 1/2-13 x 5 ZP	110	9227.00	HX REV LCK NUT 3/8-16 ZP
55	221800.33	BELT GUIDE BLK	111	115312.00	1/4 x 1/8 URETHANE TUBE
56	9214.00	HHCS 1/2-13 x 2 1/2 ZP	112	110830.00	THUMB BUTTON VALVE
57	130857.00	BACK CUSHION	113	115423.00	PLASTIC TIE 8" BK
58	225416.20	INSTRUCTIONAL PLACARD	114	265310.00	PLASTIC Y
61	130856.00	BOTTOM CUSHION	116	115323.00	IN-LINE FILTER
62	9183.00	HHCS 5/16-18 3 1/2 ZP	117	115429.00	PLASTIC TIE 10" RED
63	135060.00	ROLLER	121	110897.00	90 DEG BARBED Q.D.

## Air 250 Seated Butterfly

ITEM	PART #	DESCRIPTION				
122	9127.00	SHSB 1/2 x 1 ZP				
125	8153.00	MALE ELBOW 3/8 x 1/4				
126	953101.00	TUBING 3/8 BK POLYMETHYLENE				
127	115318.00	EXHAUST MUFFLER 3/8				
131	115317.00	CYLINDER 2 1/2 x 7				
132	9231.00	HX JAM NUT 3/4-10 ZP				
133	115005.00	CLEVIS 2.5				
134	110832.00	3/8 BARBED STRAIGHT				
137	9364.00	INT TTH LCK WSHR 3/4 ZP				
141	115000.00	TANK BUSHING				
142	115333.00	ORING .737 x .943 x .103 70 DUR				
143	100903.33	TANK 72 IN3 BK				
144	220922.32	LEFT EX ARM - BOTTOM WT				
145	220923.32	RIGHT EX ARM - BOTTOM WT				
146	220930.32	LEFT EX ARM - TOP WT				
147	220931.32	RIGHT EX ARM - TOP WT				
149	222359.00	GRIP COLLAR - 1.00 ID BK				
150	600801.00	PROCESSOR BOX ASSY				
151	225405.00	GRIP 1.43 x 4.5				
152	9270.00	HWHSMS SCREW # 12 x 3/4 ZP				
153	9104.00	SHCS 5/16 x 1/4 ZP				