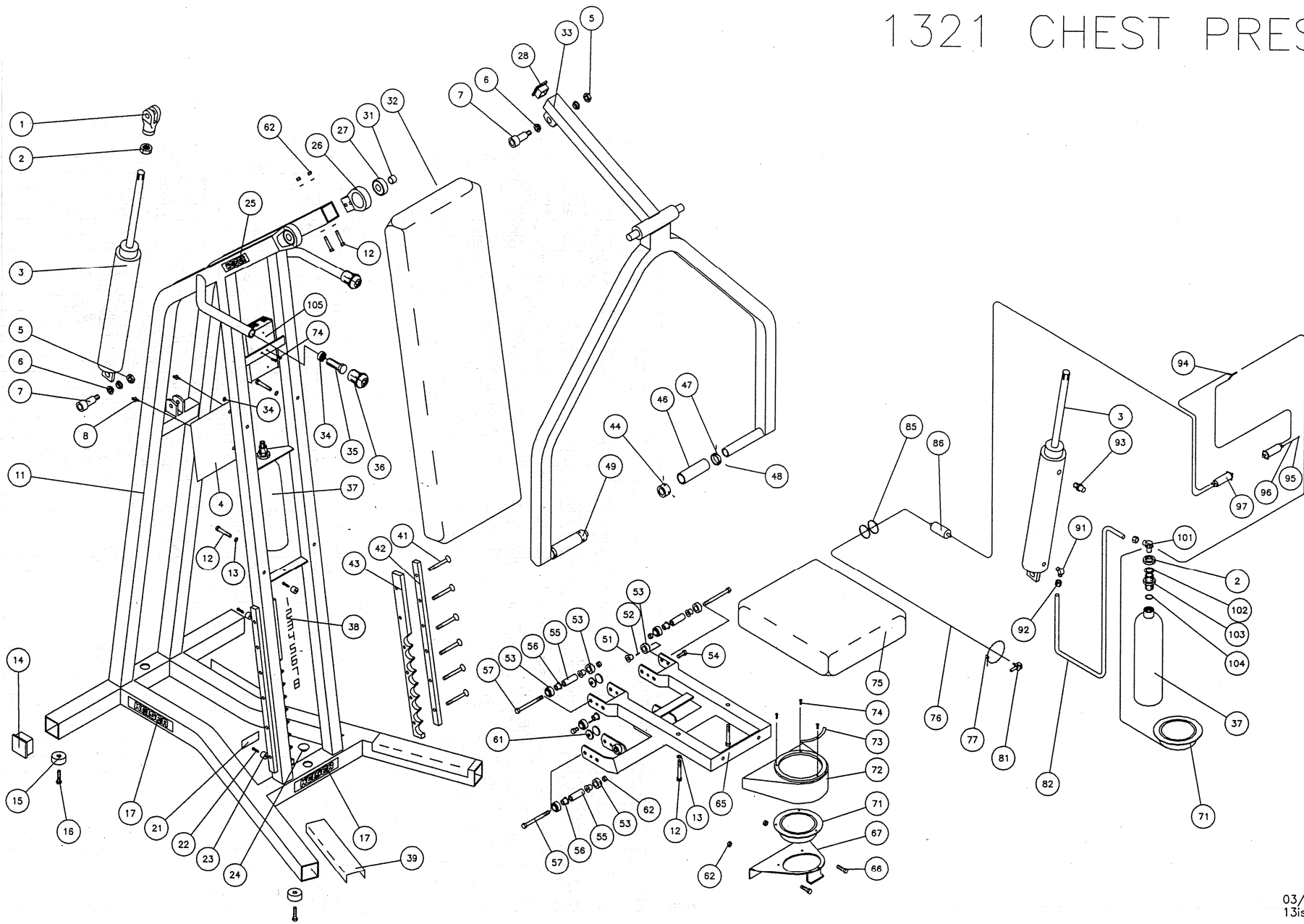


1321 CHEST PRESS



Air 250 Seated Chest Press

ITEM	PART #	DESCRIPTION	ITEM	PART #	DESCRIPTION
1	115005.00	CLEVIS - 2.5	67	130921.33	HANDLE BRKT
2	9231.00	HX JAM ZP	71	A600803.60	DIGITAL GAGE ASSY
3	135316.00	CYLINDER 2.5 x 12		B130821.60	100 PSI ANALOG GAGE ASSY
4	135416.20	INSTRUCTIONAL PLACARD	72	135405.00	FLANGED GAGE BOX
5	9227.00	HX REV LCK UT 3/8-16 ZP	73	135305.00	ELBOW DECAL
6	115051.80	FLANGE BEARING .5 I.D.	74	9272.00	PHSTS TF PH#6 x 1/2
7	9127.00	SHSB 1/2 x 1 ZP	75	130856.00	BOTTOM CUSHION
8	265404.00	PLASTIC RIVET	76	953108.00	TUBING - 1/4 BLK UREHTANE
11	130902.32	MAIN FRM WT	77	115429.00	PLASTIC TIE - 10 INCH
12	9179.00	HHCS 5/16-18 x 2-1/4 ZP	81	110897.00	90 DEG BARBED Q.D.
13	9353.00	AIRCRAFT WASHER 5/16 ZP	82	953101.00	TUBING 3/8 BLK POLYETHYL
14	115054.00	PLASTIC CAP 2" SQUARE	85	115423.00	PLASTIC TIE 8 IN BK
15	105423.00	BUMPER-MOLDED GLIDE	86	151323.00	IN-LINE FILTER
16	9279.00	HWH TFTDC 5/16-18 x 3/4 ZP	91	8153.00	MALE ELBOW 3/8 x 1/4
17	115372.00	LARGE "KEISER" DECAL	92	9997.00	COMPRESS ALIGN NUT 3/8
21	10543.00	DECAL "SERIAL #"	93	115318.00	EXHAUST MUFFLER 3/8
22	9285.00	PHSTS PH # 10-24 x 3/4 TF ZP	94	265310.00	PLASTIC Y
23	135076.00	PLASTIC BUMPER	95	135057.00	BLACK FLOW RESTRICTOR
24	115404.00	HOLE PLUG 1.0	96	115312.00	1/4 x 1/8 URETHANE TUBE
25	115371.00	SMALL "KEISER" DECAL	97	110830.00	THUMB BUTTON VALVE
26	135407.00	BEARING HOUSING	101	110833.00	3/8 BARBED ELBOW
27	115394.00	SPHERICAL BEARING 3/4 I.D.	102	9364.00	INT TTH LCK WSHR 3/4
28	135056.00	PLASTIC CAP 1.5 SQUARE	103	115000.00	TANK BUSHING
31	151067.00	1 x 3/4 VINYL CAP BLK	104	115333.00	ORING .737 x .943 x .103 70 DUR
32	130857.00	BACK CUSHION	105	600801.00	PROCESSOR BOX
33	130900.32	EXERCISE ARM WT			
34	9233.00	HX JAM NUT 5/8-18 NF ZP			
35	9250.00	HHCS 5/8 x 1-1/4 ZP			
36	135422.00	RUBBER CRUTCH TIP # 20			
37	255318.33	TANK - 145 CU. IN. BK			
38	135306.00	STRIP DECAL # 1-10			
39	955300.00	4" PROTECTOR STRIP			
41	9079.00	FHSCS 5/16-18 x 2-1/2			
42	135006.31	SEAT RAIL AZ			
43	135005.31	SEAT RACK AZ			
44	115439.70	MINUS CAP			
46	175403.00	GRIP SLEEVE 3.75			
47	115030.00	GRIP COLLAR AZ			
48	9016.00	SOCKET SCR 8-32 x 1/8			
49	115438.70	PLUS CAP			
51	132201.00	THREADED AXLE			
52	9009.00	SPRING PIN 1/16 x 1/2			
53	135060.00	ROLLER			
54	9174.00	HHCS 5/16-18 x 1/2 ZP			
55	132181.00	ROLLER TUBE			
56	132200.00	AXLE			
57	9183.00	HHCS 5/16-18 x 3-1/2 ZP			
61	135055.00	STEM BUMPER			
62	9226.00	HELN 5/16-18 ZP			
65	130920.00	SEAT - AIR 250 BK			
66	9176.00	HHCS 5/16-18 x 1 ZP			