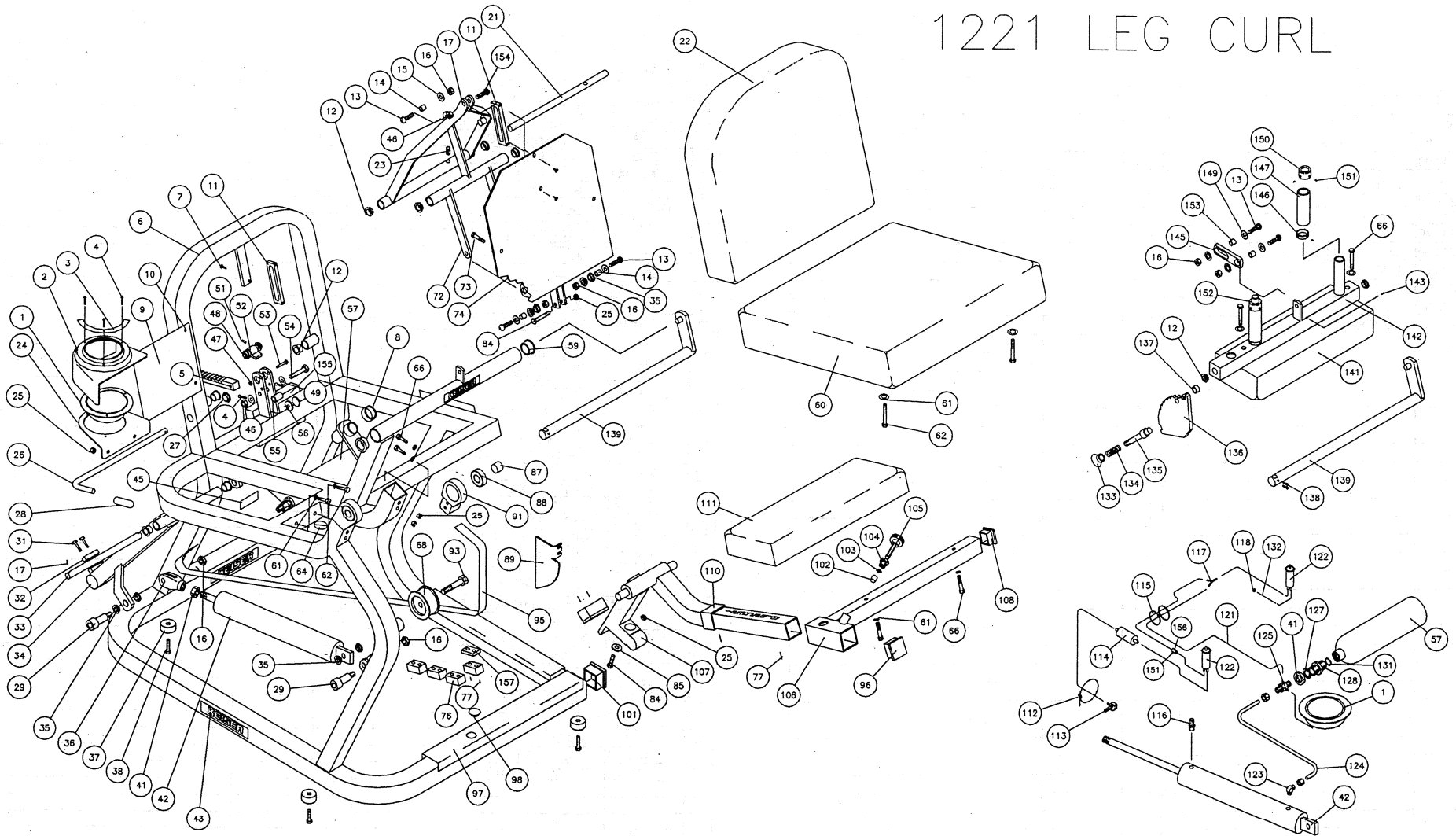


1221 LEG CURL



Air 250 Seated Leg Curl

ITEM	PART #	DESCRIPTION	ITEM	PART #	DESCRIPTION
1	A600803.60	DIGITAL GAGE ASSY	59	135050.80	FLANGE BEARING 1" I.D.
	B120823.00	100 PSI ANALOG GAGE ASSY	60	110851.00	SEAT BOTTOM CUSHION
2	115411.00	FLANGED GAGE BOX AIR 250	61	9353.00	ACFT WSHR 5/16
3	125303.00	FLANGE DECAL	62	9180.00	HHCS 5/16-18 x 2-1/2
4	9272.00	PHSTS TF PHLPS # 6 x 1/2 BK	64	115301.00	FINGER WARNING DECAL
5	115010.00	RACK - MACHINED	66	9179.00	HHCS 5/16-18 x 2-1/4
6	120918.32	MAIN FRAME WT	68	265419.00	BELT PULLEY ASSY
7	9288.00	FHSTS PH # 10-24 x 1 T/F ZP	72	110919.23	SEAT FRONT PIVOT ASSY
8	125055.00	VINYL RING	73	9176.00	HHCS 5/16-18 x 1
9	125416.20	INSTRUCTIONAL PLACARD	74	110912.23	SEAT BACK
10	265404.00	PLASTIC RIVET	76	165421.00	URETHANE EX ARM STOP
11	115072.00	GUIDE/BEARING	77	9285.00	PHSTS PH#10-24 x 3/4
12	115052.80	FLANGE BEARING .63 I.D.	84	9177.00	HHCS 5/16-18 x 1-3/4
13	115451.00	BHHSCS 3/8 -16 x 1-1/4 NP	85	112242.73	CLAMP DISC
14	113040.00	SHOULDER SLEEVE 1/2 x 1/2	87	115067.00	1 x 3/4 VINYL CAP
15	115450.00	BHHHSCS WASHER	88	115394.00	SPHERICAL BEARING
16	9227.00	HX REV LCK NUT 3/8-16 ZP	89	120811.00	FINGER GUARD ASSY
17	110909.23	SEAT BACK PIVOT ASSY	91	135407.00	BEARING HOUSING
21	112182.73	SEAT BACK PIVOT SHAFT	92	9285.00	PHSTS PH # 10-24 x 3/4
22	110852.00	SEAT BACK CUSHION	93	9155.00	HHCS 1/2-20 x 2
23	9001.00	SPRING PIN 3/16 x1/2 ZP	95	115412.00	BELT A250 62 IN
24	111806.33	GAGE BRKT AIR 250 BK	96	115059.00	PLASTIC CAP 1-3/4 SQ.
25	9226.00	HELN 5/16 -18 ZP	97	955300.00	4" PROTECTOR STRIP
26	112181.31	PAWL HANDLE	98	115404.00	HOLE PLUG 1.0
27	115424.00	SNAP-IN NYLINER	101	115054.00	PLASTIC CAP 2" SQ.
28	115427.00	GRIP 1/2 x 2-1/2	102	112162.00	SPACER
29	9127.00	SHSB 1/2 x 1 ZP	103	115417.00	E-RING
31	9151.00	HHCS 1/4-20 x 3/4 ZP	104	112244.00	THREADED NUT
32	111896.33	CLAMP W/HOLE BK	105	110804.00	LONG KNOB ASSY
33	112183.31	PIVOT SHAFT CR	106	110925.22	LEG UPHL MOUNTY ASSY
34	110924.33	LEVER ARM	107	120919.23	EX ARM ASSY
35	115051.80	FLANGE BEARING .5 I.D.	108	135056.00	PLASTIC CAP 1.5 " SQUARE
36	115005.00	CLEVIS 2.5	110	114212.33	COLLAR
37	105423.00	BUMPER-MOLDED GLIDE	111	110860.00	LEG SUPPORT CUSHION
38	9279.00	HWH TFTDC 5/16-18 x 3/4 ZP	112	115429.00	PLASTIC TIE-10 INCH
41	9231.00	HX JAM NUT 3/4-10 ZP	113	110897.00	90 DEG BARBED Q.D.
42	135316.00	CYLINDER-2.5 x 12	114	115323.00	IN-LINE FILTER
43	125372.00	LARGE "KEISER" DECAL	115	115430.00	PLASTIC TIE - 3 INCH
45	105443.00	DECAL-SERIAL #	116	115318.00	EXHAUST MUFFLER 3/8
46	9228.00	HELN 3/8-16 ZP	117	265310.00	PLASTIC Y
47	9225.00	HELN 1/4-20 ZP	118	135057.00	BLACK FLOW RESTRICTOR
48	115056.00	FLANGE BRG .63 I.D. SHORT	121	953108.00	TUBING-1/4 BLK URETHANE
49	9355.00	ACFT WSHR 3/8 ZP	122	110830.00	ALUM THUMB BUTTON VALVE
51	9003.00	SPRING PIN 1/4 x 1/2 ZP	123	8153.00	MALE ELBOW 3/8 x 1/4
52	110916.33	PAWL HANDLE	124	953101.00	TUBING-3/8 BLK POLYETHYL
53	9152.00	HHCS 1/4-20 x 2 ZP	125	110832.00	3/8 BARBED STRAIGHT
54	9206.00	HHCS 3/8-16 x 2-1/4	127	9364.00	INT TTH LCK WSHR 3/4
55	115314.00	SLEEVE ZP	128	115000.00	TANK BUSHING
56	135055.00	STEM BUMPER	131	115333.00	ORING. 737 x .943 x .103 70 DUR
57	255318.33	TANK 145 CU. IN. BK	132	115312.00	1/4 x 1/8 URETHANE TUBE
58	125371.00	SMALL "KEISER" DECAL	133	175420.00	BLACK KNOB

Air 250 Seated Leg Curl

ITEM	PART #	DESCRIPTION				
134	175500.00	SPRING-PLUNGER				
135	172180.00	PLUNGER				
136	120800.31	ADJUST RACK				
137	125051.00	SPACER				
138	9095.00	SHCS 1/4-28 x 3/4				
139	120921.33	WELDED SHAFT				
141	120851.00	THIGH PAD CUSHION				
142	120922.33	KNEE PAD ARM				
143	9097.00	SHCS # 10-32 x 1/2				
145	125056.00	SLOTTED LINK				
146	115030.00	GRIP COLLAR				
147	115433.00	GRIP SLEEVE				
149	9358.00	SAE WASHER 3/8"				
150	115439.70	MINUS CAP				
151	9016.00	SOCKET SCR 8-32 x 1/8				
152	115438.70	PLUS CAP				
153	113040.00	SHOULDER SLEEVE 1/2 x 1/2				
154	9203.00	HHCS 3/8 - 16 x 1-1/2				
155	600801.00	PROCESSOR BOX				
156	122162.00	FLOW RESTRICTOR				
157	121840.32	BUMPER SPACER				