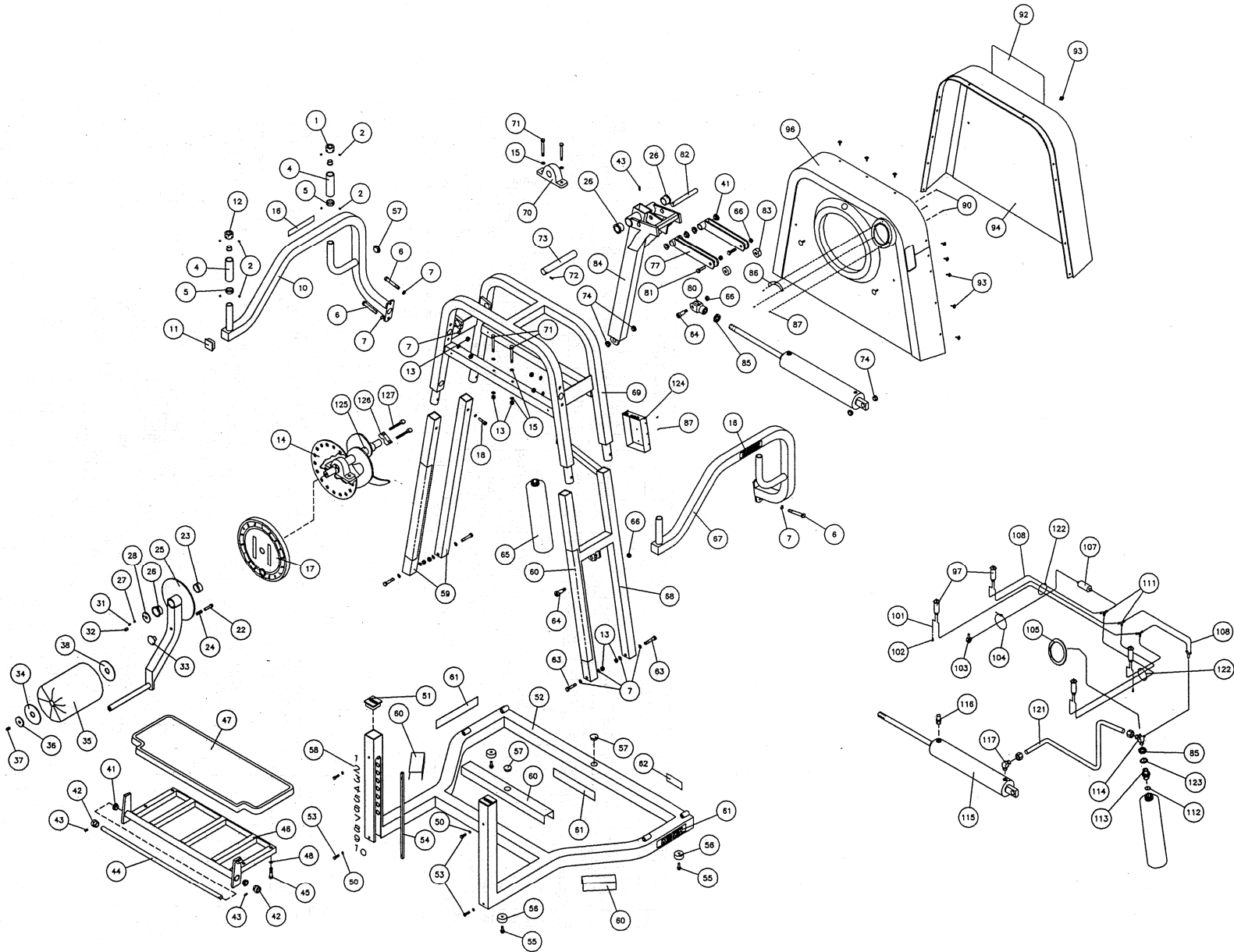


2621 STANDING HIP



Air 250 Standing Hip

ITEM	PART #	DESCRIPTION	ITEM	PART #	DESCRIPTION
1	115439.70	MINUS CAP	63	9205.00	HHCS 3/8-16 x 2 ZP
2	9016.00	SOCKET SCR 8-32 x 1/8	64	9127.00	SHSB 1/2 x 1 ZP
4	115433.00	GRIP SLEEVE	65	255318.33	TANK - 145 CU. IN. BK
5	115022.00	GRIP COLLAR A	66	9227.00	HX REV LCK NUT 3/8-16 ZP
6	9206.00	HHCS 3/8-16 x 2-1/4 ZP	67	260932.32	RIGHT HANDLE BAR WT
7	9355.00	AIRCRAFT WASHER 3/8 ZP	68	260937.32	LOWER MAIN FRAME WT
10	260931.32	LEFT HANDLE BAR WT	69	260936.33	MAIN FRAME TOP BK
11	135056.00	PLASTIC CAP 1.5" SQUARE	70	265502.00	PILLOW BLOCK BRG 1" DIA
12	115438.70	PLUS CAP	71	9208.00	HHCS 3/8-16 x 2-3/4 ZP
13	9228.00	HELN 3/8-16 ZP	72	9002.00	SPRING PIN 3/16 x 3-3/4 ZP
14	260957.00	EXERCISE, SHAFT PAINTED - WELD	73	262201.00	SHAFT 1" x 7.00 LONG
15	9358.00	SAE FLAT WASHER 3/8 ZP	74	115051.80	FLANGE BEARING - .5 I.D.
16	115371.00	DECAL - "KEISER" SMALL	77	260922.33	FOLLOWER PIVOT SHAFT B
17	260804.00	ASSY INDEX COVER	80	115005.00	CLEVIS - 2.5
18	9201.00	HHCS 3/8-16 x 1 ZP	81	9204.00	HHCS 3/8-16 x 1-3/4 Z
22	172180.80	PLUNGER	82	262182.73	FOLLOWER PIVOT SHAFT CR
23	265054.00	CYL. BEARING	83	145420.00	CAM FOLLOWER
24	175500.00	SPRING - PLUNGER	84	260921.33	LEVER ARM B
25	260915.33	EXERCISE ARM BK	85	9231.00	HX JAM NUT 3/4-10 Z
26	135050.80	FLANGE BEARING 1" I.D.	86	125303.00	FLANGE DECAL
27	265403.00	CAP SCREW SLEEVE	87	9272.00	PHSTS TF PHLPS # 6 x 1/2 B
28	265431.31	LOCKING FENDER WASHER CR	90	9984.00	HELN # 6-32 Z
31	9111.00	SHCS # 10-24 x 1/2 ZP	92	265416.20	INSTRUCTIONAL PLACARD
32	265432.00	LOCKING BUTTON HEAD SCREW	93	265404.00	PLASTIC RIVET
33	175420.00	KNOB BK	94	265066.00	BACK COVER
34	265055.00	BEVEL WASHER	96	265067.00	FRONT COVER
35	110850.00	ROLLER CUSHION	97	110830.00	THUMB BTTON VALVE
36	265433.00	FENDER WASHER 3/8 SS	101	115312.00	1/4 x 1/8 URETHANE TUBE
37	9110.00	BHHCS 3/8-16 x 3/4 SS	102	135057.00	BLACK FLOW RESTRICTOR
38	115055.00	WASHER-UPHOLSTERY ROLLER	103	110897.00	90 DEG BARBED Q.D.
41	115052.00	FLANGE BEARING .63 I.D.	104	115429.00	PLASTIC TIE - 10 IN RED
42	265423.73	GEAR - STEP	105	A600803.60	DIGITAL GAGE ASSY
43	9001.00	SPRING PIN 3/16 x 1/2 ZP		B260802.00	100 PSI ANALOG GAGE ASSY
44	262180.73	PIVOT SHAFT - STEP	107	115323.00	IN-LINE FILTER
45	9177.00	HHCS 5/16-18 x 1-3/4 ZP	108	953108.00	TUBING - 1/4 BLK URETHANE
46	260912.33	STEP FRAME BK	111	265310.00	PLASTIC Y
47	260861.00	STEP PLATFORM ASSY	112	115333.00	ORING .737 x .943 x .103 70 DURO
48	9351.00	SAE FLAT WASHER 5/16 ZP	113	115000.00	TANK BUSHING
50	9357.00	INT TTH LCK WSHR 1/4 ZP	114	110833.00	3/8 BARBED ELBOW
51	115054.00	PLASTIC CAP 2" SQUARE	115	135316.00	CYLINDER - 2.5 x 12
52	260935.32	BASE FRAME WT	116	115318.00	EXHAUST MUFFLER 3/8
53	9150.00	HHCS 1/4-20 x 1/2 ZP	117	8153.00	MALE ELBOW 3/8 x 1/4
54	265421.00	RACK - STEP	121	953101.00	TUBING - 3/8 BK POLYETHYLENE
55	9279.00	HWH TFTDC 5/16-18 x 3/4 ZP	122	115423.00	PLASTIC TIE - 8 INCH BK
56	105423.00	BUMPER - MOLDED GLIDE	123	9364.00	LOCK WASHER 3/4 ZP
57	115404.00	HOLE PLUG 1.0	124	600801.00	PROCESSOR BOX
58	135306.00	STRIP DECAL # 1-10	125	260919.33	CAM
59	264163.32	MAIN FRAME TUBE WT	126	261949.00	CLAMP BAR - CAM
60	955300.00	4" PROTECTOR STRIP	127	9103.00	SCHS 3/8-16 x 1 3/4 ZP
61	115372.00	LARGE "KEISER" DECAL			
62	105443.00	DECAL "SERIAL #"			