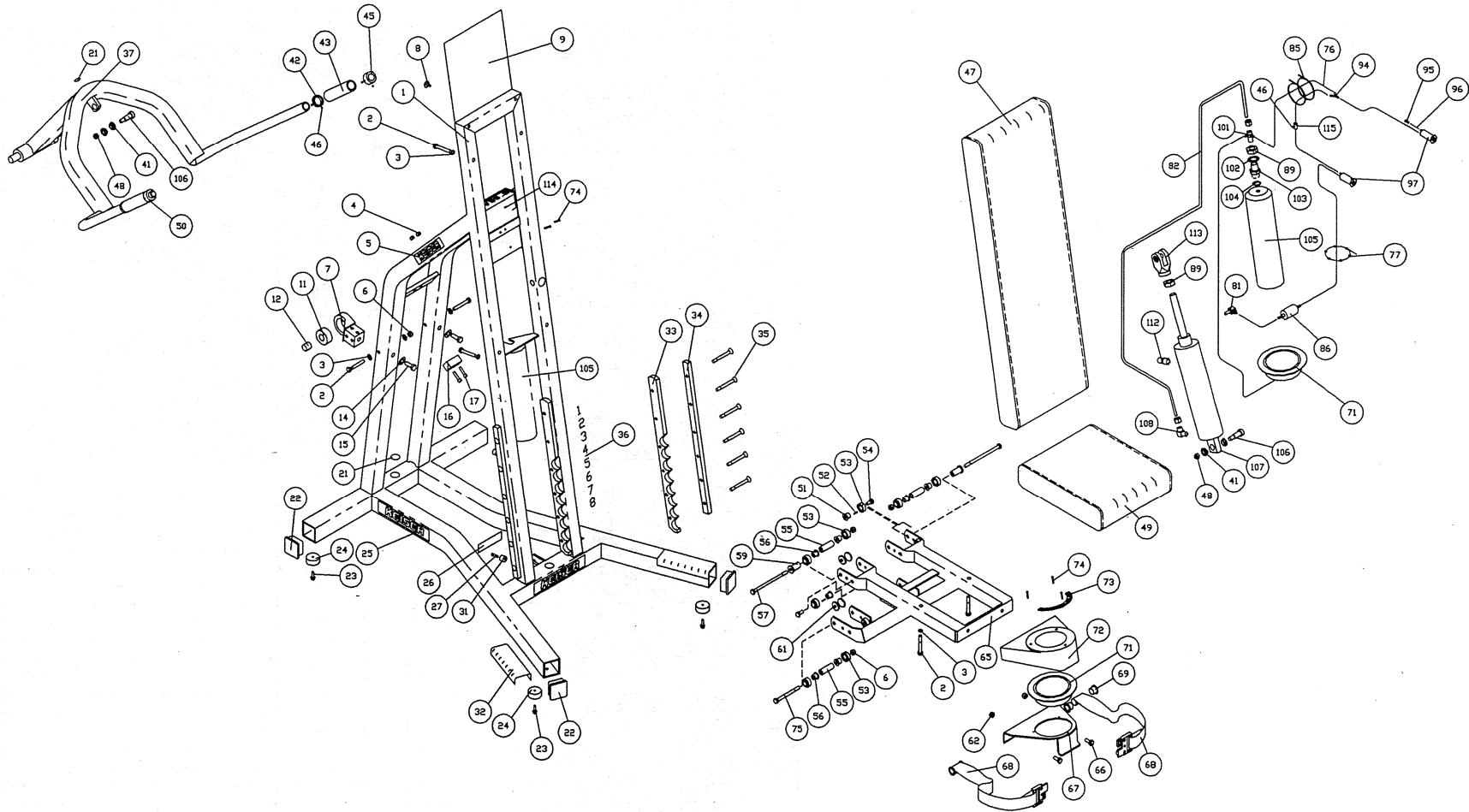


1921 TRICEP



Air 250 Tricep

ITEM	PART #	DESCRIPTION	ITEM	PART #	DESCRIPTION
1	190921.32	MAIN FRM WT	68	280888.00	HALF SEAT BELT ASSY
2	9179.00	HHCS 5/16-18 x 2-1/4 ZP	69	115052.80	FLANGE BEARING - .63 I.D.
3	9353.00	ACFT WSHR 5/16 ZP	71	A600803.60	DIGITAL GAGE ASSY
4	9225.00	HELN 1/4-20 ZP	71	A600803.60	DIGITAL GAGE ASSY
5	115371.00	SMALL "KEISER" DECAL		B190806.60	100 PSI ANALOG GAGE ASSY
6	9226.00	HELN 5/16-18 ZP	72	135405.00	FLANGED GAGE BOX
7	135307.00	BEARING HOUSING	73	135305.00	ELBOW DECAL
8	265404.00	PLASTIC RIVET	74	9272.00	PHSTS TF PHLPS # 6 x 1/2 BK
9	195416.20	INSTRUCTIONAL PLACARD	75	9183.00	HHCS 5/16-18 x 3-1/2 ZP
11	115394.00	SPHERICAL BEARING	76	953108.00	TUBING - 1/4 BLK URETHANE
12	115067.00	1 x 3/4 VINYL CAP BK	77	151429.00	PLASTIC TIE 10" RED
14	9355.00	ACFT WSHR 3/8 ZP	81	110897.00	90 DEG BARBED Q.D.
15	9200.00	HHCS 3/8-16 x 3/4 ZP	82	953101.00	TUBING - 3/8 BK POLYETHYL
16	165421.00	URETHANE EX ARM STOP	85	115423.00	PLASTIC TIE 8" BK
17	9108.00	SHCS 1/4-20 x 1 ZP	86	115323.00	IN - LINE FILTER
21	115404.00	HOLE PLUG 1.0	89	9231.00	HX JAM NUT 3/4-10 ZP
22	115054.00	PLASTIC CAP 2" SQUARE	94	265310.00	PLASTIC Y
23	9279.00	HWH TFTDC 5/16-18 x 3/4 ZP	95	135057.00	BLACK FLOW RESTRICTOR
24	105324.00	PLASTIC BUMPER	96	115312.00	1/4 x 1/8 URETHANE TUBE
25	115372.00	LARGE "KEISER" DECAL	97	110830.00	THUMB BUTTON VALVE
26	105443.00	DECAL "SERIAL #"	101	110832.00	3/8 BARBED STRAIGHT
27	9285.00	PHSTS PH # 10-24 x 3/4 ZP	102	9364.00	INT TTH LCK WSHR 3/4 ZP
31	135076.00	PLASTIC BUMPER	103	115000.00	TANK BUSHING
32	955300.00	4" PROTECTOR STRIP	104	115333.00	ORING .737 x .943 x .103 70 DURO
33	135006.31	SEAT RAIL AZ	105	255318.33	TANK 145 cu. In. BK
34	135005.31	SEAT RACK AZ	106	9127.00	SHSB 1/2 x 1 ZP
35	9079.00	FHSCS 5/16-18 x 2-1/2	107	135316.00	CYLINDER - 2.5 x 12
36	135306.00	SEAT STRIP DECAL # 1-10	108	8153.00	MALE LEBOW 3/8 x 1/4
37	190907.32	EXERCISE ARM WT	112	115318.00	EXHAUST MUFFLER
41	115051.80	FLANGE BEARING .5 I.D.	113	115005.00	CLEVIS 2.5
42	115022.00	GRIP COLLAR AZ	114	600801.00	PROCESSOR BOX
43	175403.60	GRIP SLEEVE 4.75	115	122162.00	FLOW RESTRICTOR
45	115438.70	PLUS CAP AZ			
46	9016.00	SOCKET SCR 8-32 x 1/8			
47	130857.00	BACK CUSHION			
48	9227.00	HX REV LCK NUT 3/8-16 ZP			
49	130856.00	BOTTOM CUSHION			
50	115439.70	MINUS CAP AZ			
51	132201.00	THREADED AXLE			
52	9009.00	SPRING PIN 1/16 x 1/2			
53	135060.00	ROLLER			
54	9174.00	HHCS 5/16-18 x 1/2 ZP			
55	132181.00	ROLLER TUBE			
56	132200.00	AXLE			
57	9185.00	HHCS 5/16-18 x 5 ZP			
59	195001.00	SEAT BELT ADAPTER 5/16			
61	135055.00	STEM BUMPER			
62	9226.00	HX ELAS LCK NUT 5/16-18 ZP			
65	130920.33	SEAT AIR 250 BK			
66	9176.00	HHCS 5/16-18 x 1 ZP			
67	130921.33	HANDLE BRKT BK			