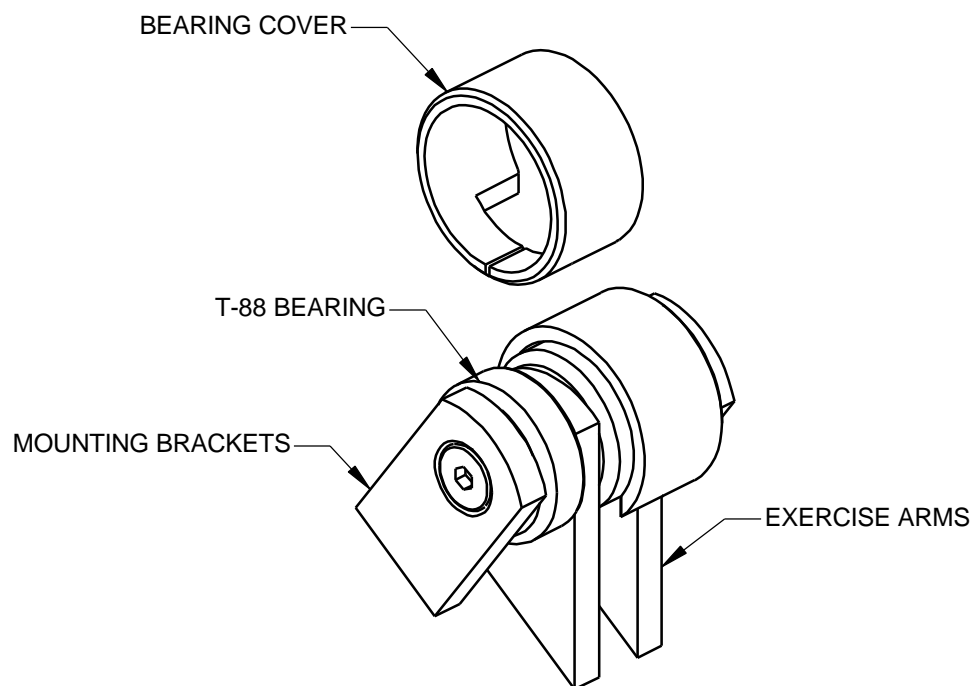


KEISER REPLACEMENT T-88 BEARING COVER INSTRUCTIONS

1. Please read all instructions before beginning any steps.
2. Adjust the T-88 Bearings before installing the Bearing Covers, as shown in the K 300 Maintenance Manual.
3. With a clean rag, completely clean all grease and dirt from around the T-88 Bearings, exercise arms, and the mounting brackets.

CAUTION: WHEN INSTALLING THE BEARING COVERS, DO NOT PLACE YOUR FINGERS BETWEEN THE T-88 BEARING AND THE INSIDE OF THE COVER, AS YOUR FINGERS MAY BE PINCHED.

Position the bearing covers as shown below:



4. Gently spread cover over the T-88 Bearing. The cut out section goes around the exercise arm (See Illustration). Push cover over the bearing. Check to make sure the arms move correctly. If arms do not move correctly, covers are not installed properly.