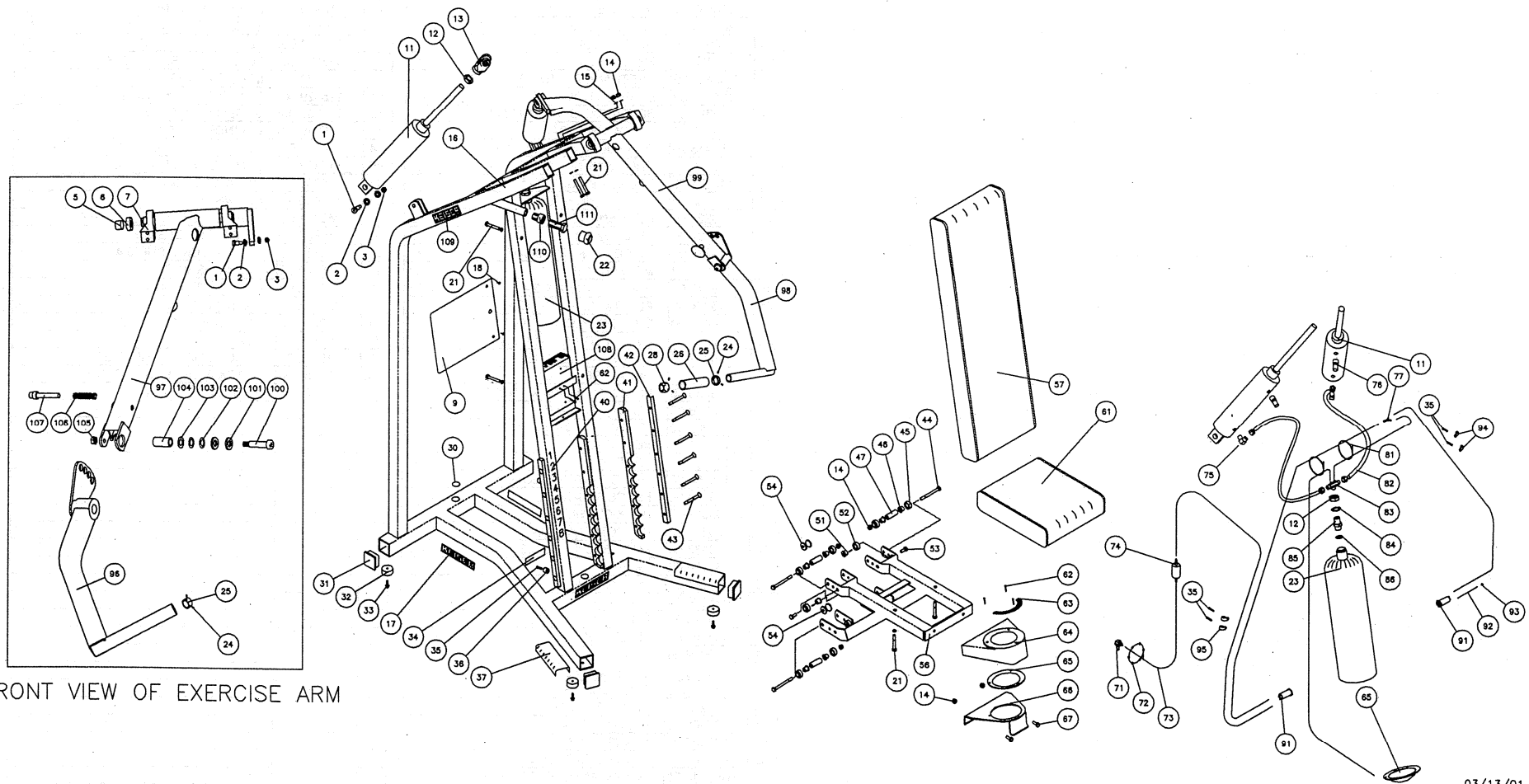


1335 BI-AXIAL CHEST PRESS



FRONT VIEW OF EXERCISE ARM

Air 350 Biaxial Chest Press

ITEM	PART #	DESCRIPTION	ITEM	PART #	DESCRIPTION
1	9127.00	SHSB 1/2 x 1 ZP		B130822.6	100 PSI ANALOG GAGE ASSY 1322
2	115051.80	FLANGE BEARING - .5 I.D.	66	130921.33	HANDLE BRACKET
3	9227.00	HX REV LCK NUT 3/8-16 ZP	67	9176.00	HHCS 5/16-18 x 1 ZP
4	130925.32	RIGHT EXERCISE ARM WT	71	110897.00	90 DEG BARBED Q.D.
5	115067.00	1 x 3/4 VINYL CAP	72	115429.00	PLASTIC TIE - 10 INCH RED
6	115394.00	SPHERICAL BEARING 3/4 ID	73	953108.00	TUBING - 1/4 BLK URETHANE
7	135407.00	BEARING HOUSING	74	115323.00	IN-LINE FILTER
8	115438.70	PLUS CAP	75	8153.00	MALE ELBOW 3/8 - 1/4
9	135417.20	INSTRUCTIONAL PLACARD	76	115318.00	EXHAUST MUFFLER 3/8
10	130926.32	LEFT EXERCISE ARM WT	77	265310.00	PLASTIC Y
11	115317.00	CYLINDER - 2/12 x 7	81	115430.00	PLASTIC TIE - 3 INCH BK
12	9231.00	HX JAM NUT 3/4-10 ZP	82	953101.00	TUBING 3/8 BLK POLYETHYL
13	115005.00	CLEVIS - 2.5	83	130831.00	3/8 BARBED TEE
14	9226.00	HX ELAS LCK NUT 5/16-18 ZP	84	9364.00	INT TTH LCK WSHR 3/4 ZP
15	9353.00	ACFT WSHR 5/16 ZP	85	115000.00	TANK BUSHING
16	130927.32	MAIN FRAME WT	86	115333.00	ORING .737 x .943 x .103 70 DUR
17	115372.00	LARGE "KEISER" DECAL	91	110830.00	THUMB BUTTON VALVE
18	265404.00	PLASTIC RIVET	92	115312.00	1/4 x 1/8 URETHANE TUBE
21	9179.00	HHCS 5/16-18 x 2-1/4 ZP	93	135057.00	BLACK FLOW RESTRICTOR
22	135422.00	RUBBER CRUTCH TIP # 20	94	115422.00	CABLE CLAMP 1/4
23	155369.00	TANK - 300 CUBIC INCH BK	95	275422.00	CABLE CLAMP 1/2
24	9016.00	SOCKET SCR 8-32 x 1/8	96	130931.32	EX. ARM PIVOT RIGHT
25	115022.00	GRIP COLLAR AZ	97	130929.32	EX. ARM RIGHT
26	115433.00	GRIP SLEEVE 3.75	98	130932.32	EX. ARM PIVOT LEFT
28	115439.70	MINUS CAP	99	130930.32	EX. ARM LEFT
30	115404.00	HOLE PLUG	100	9372.00	SHSB 1/2-1 ZP
31	115054.00	PLASTIC CAP 2" SQUARE	101	215003.00	SPACER 1/8 x 1 BR
32	105423.00	BUMPER - MOLDED GLIDE	102	9373.00	BELLEVILLE WASHER 1/2 x 3/4
33	9279.00	HWH TFTDC 5/16-18 x 3/4 ZP	103	9371.00	THRUST RACE .5 x .937
34	105443.00	DECAL "SERIAL #"	104	215004.00	BEARING 1/2 x 3/4 BR
35	9285.00	PHSTS PH #10-24 x 3/4 ZP	105	9374.00	HELJN 3/8 - 16 ZP
36	135076.00	PLASTIC BUMPER	106	175500.00	SPRING PLUNGER
37	955300.00	4" PROTECTOR STRIP	107	172180.00	PLUNGER
40	135306.00	STRIP DECAL #1-10	108	600801.00	PROCESSOR BOX
41	135005.31	SEAT RACK AZ	109	115371.00	DECAL - KEISER, SM.
42	135006.31	SEAT RAIL AZ	110	132250.00	ADJ. STOP
43	9079.00	FHSCS 5/16-18 x 2-1/2	111	9250.00	HHCS - 5/8 x 1 1/4 ZP
44	9183.00	HHCS 5/16-18 x 3-1/2 ZP			
45	135060.00	ROLLER			
46	132200.00	AXLE			
47	132181.00	ROLLER TUBE			
51	132201.00	THREADED AXLE			
53	9174.00	HHCS 5/16-18 x 1/2 ZP			
54	135055.00	STEM BUMPER			
56	130920.33	SEAT AIR - 250 BK			
57	130857.00	BACK CUSHION			
61	130856.00	BOTTOM CUSHION			
62	9272.00	PHSTS TF PHLPS # 6 x 1/2 BK			
63	135305.00	ELBOW DECAL			
64	135405.00	FLANGED GAGE BOX			
65	A600803.6	DIGITAL GAGE ASSY			