

STEPS FOR REPLACING THE COMPUTER CONTROL CIRCUIT BOARD ON 1021/1022 COMPRESSORS

1) -Unplug electrical cord

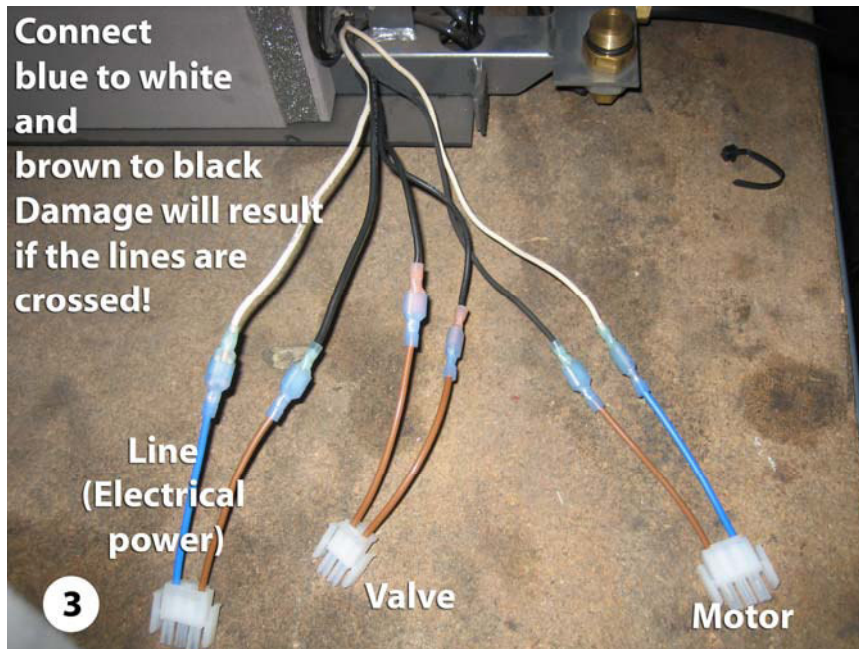
- Using an exercise machine remove all of the air from the system by depressing both + and - buttons until all pressure is relieved.
- Refer to the "Compressor Model 1021 & 1022 Maintenance Manual" to: (a) unplug all external air lines, then (b) remove the top cover and air tanks for easy access to the circuit board.
- Using the name printed on the circuit board label and remove each wire and hose to the old board.
- Remove the aluminum plate that mounts the old circuit board, this will be replaced.



WARNING: FAILURE TO UNPLUG THE ELECTRICITY TO THE COMPRESSOR WILL RESULT IN ELECTRIC SHOCK AND POSSIBLE DEATH!



Tools required:
#2 Phillips screwdriver
5/16 inch wrench



Connect blue to white and brown to black
Damage will result if the lines are crossed!

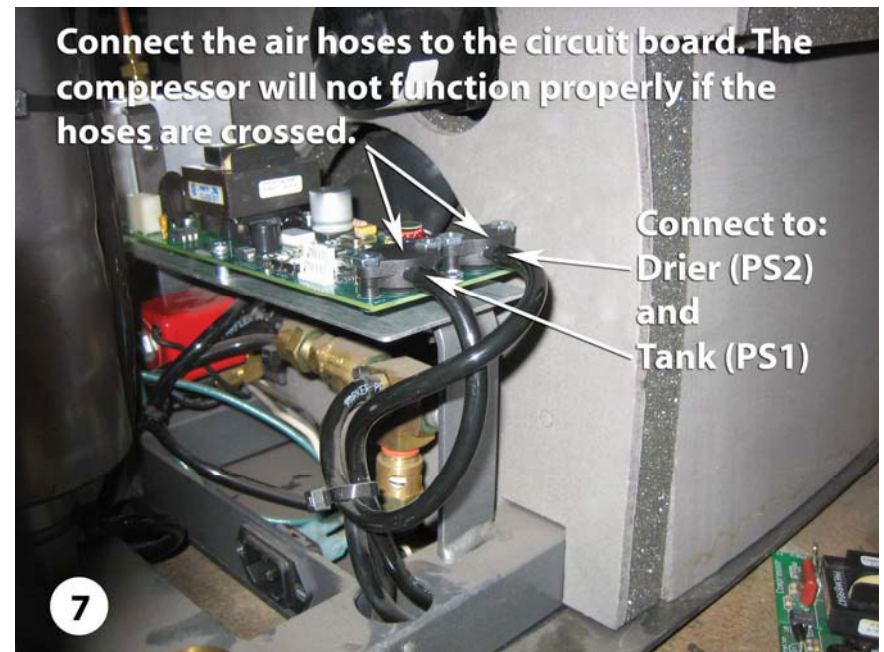
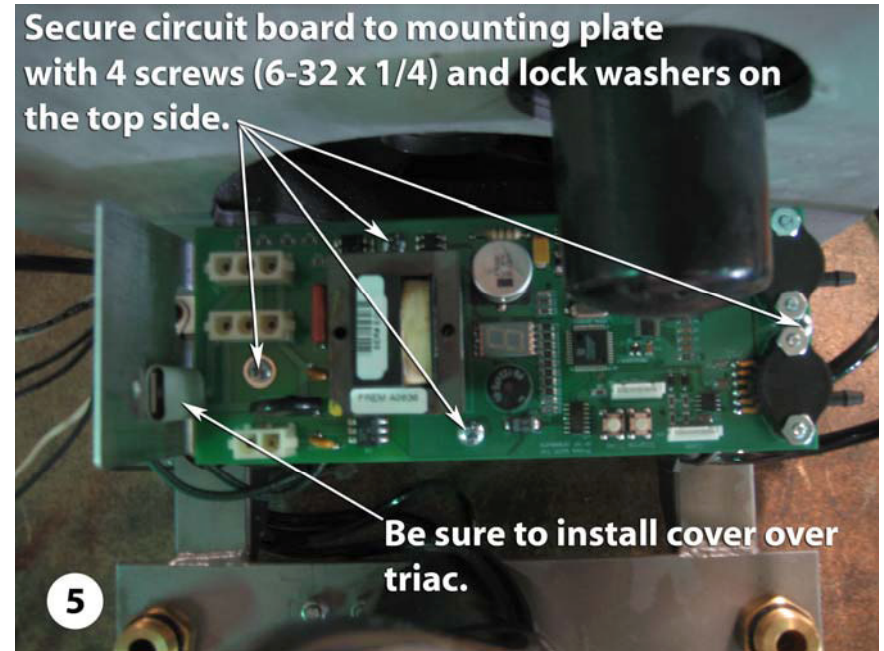
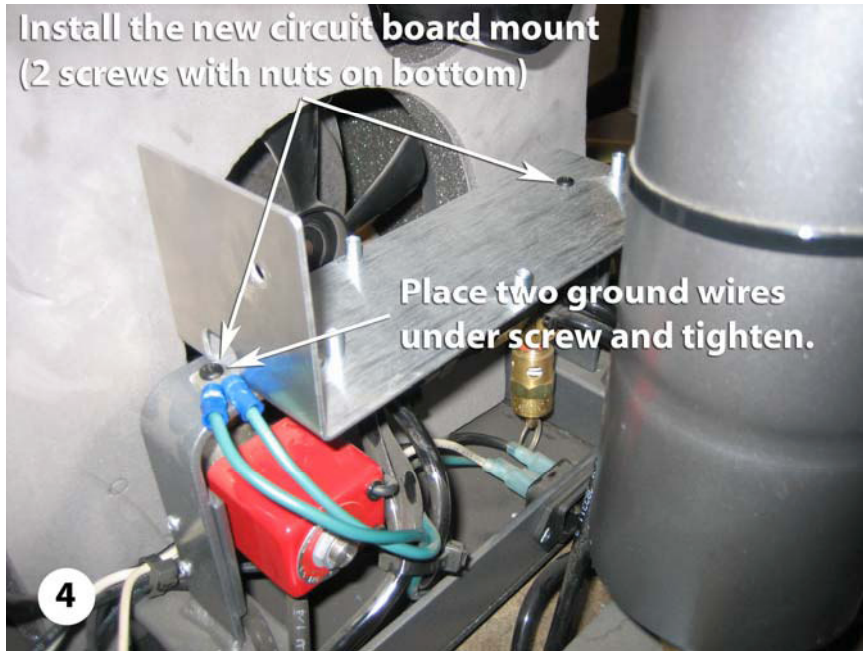
Line
(Electrical power)

Valve

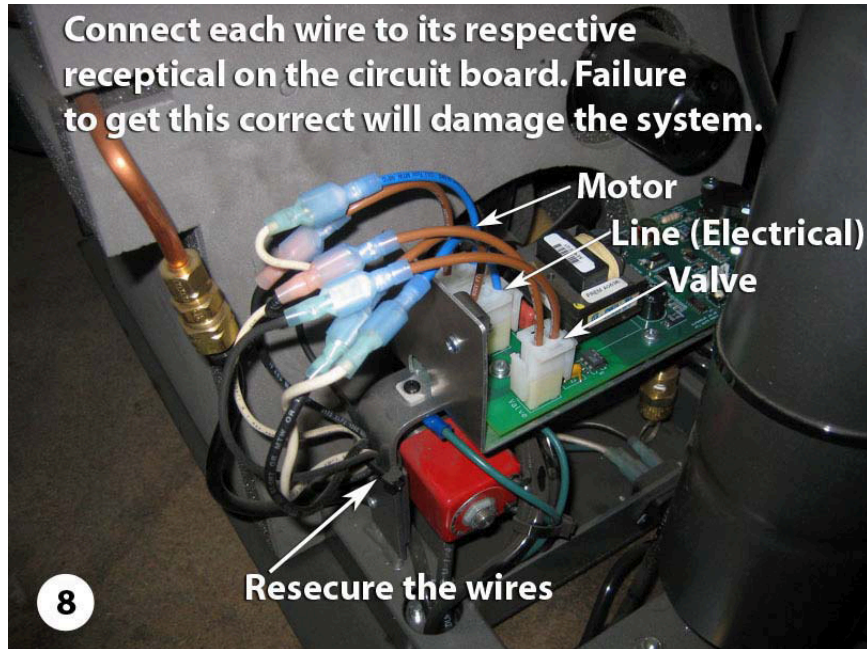
Motor

- Be sure to connect each wire to the correct color (blue to white and brown to black).
- The Motor and Line wires are black and white and can be hard to differentiate, be sure to get this correct.
- Chase each wire back to its origin to ensure proper labeling and connection.
- The 2 valve wires are black and belong to the 2 prong connector in any orientation.

STEPS FOR REPLACING THE COMPUTER CONTROL CIRCUIT BOARD ON 1021/1022 COMPRESSORS



STEPS FOR REPLACING THE COMPUTER CONTROL CIRCUIT BOARD ON 1021/1022 COMPRESSORS



9) -Refer to the compressor maintenance manual as in step 1 and reinstall the air tanks and compressor cover.

- Run through standard maintenance checks prior to using the compressor.

Please call or e-mail the Keiser service department if you have any questions.

KEISER

2470 S CHERRY AVE • FRESNO CA 93706
TOLL FREE 1.800.888.7009 • PHONE 559.256.8000
FAX 559.256.8100 • www.keiser.com
E-mail: service@keiser.com